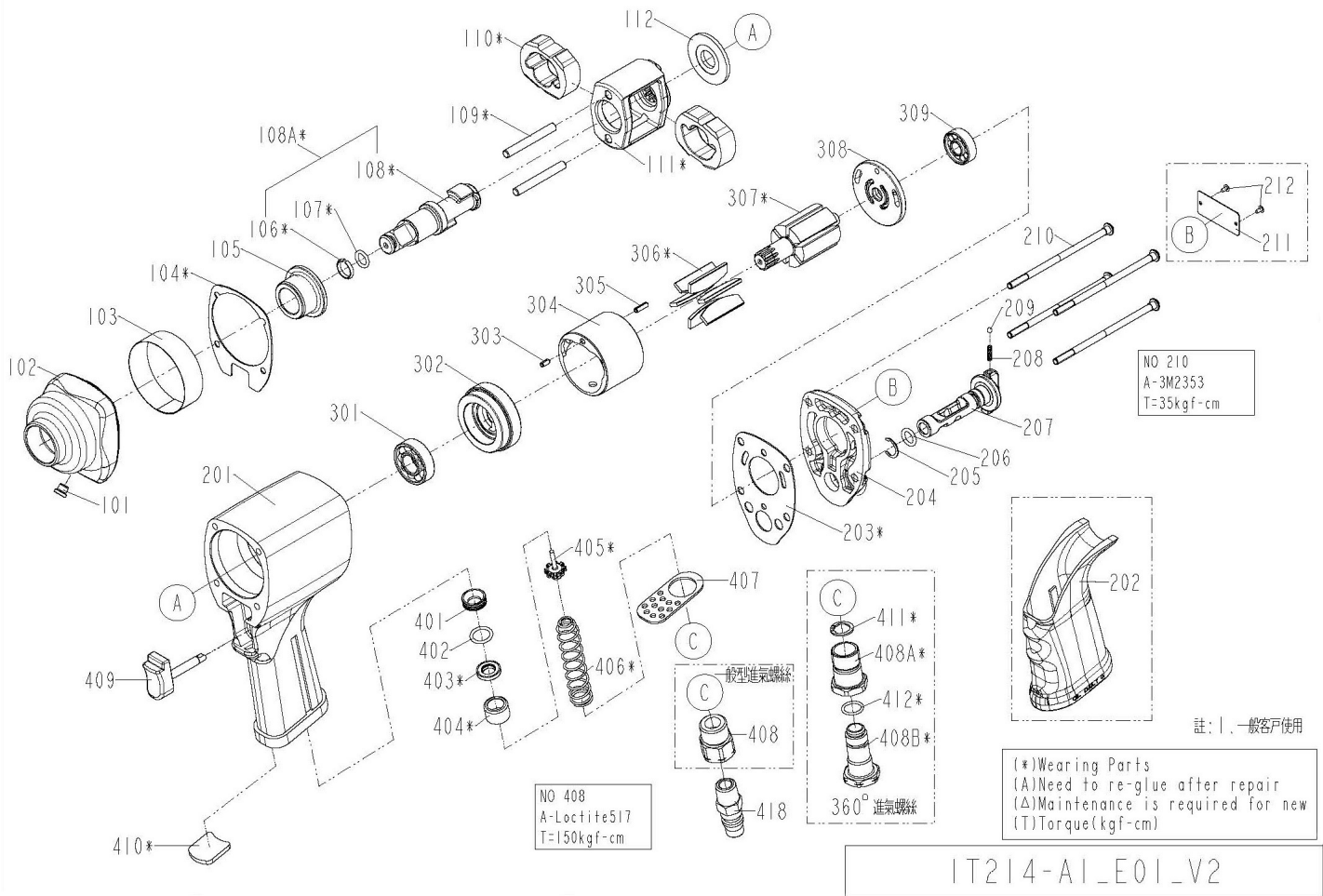


APP201 - 1/2" Impact Wrench



Ref	PCL Part No	Description	Qty
101	APS201/101	Hammer case grease fitting	1
102	APS201/102	Hammer case	1
103	APS201/103	Steel ring	1
104	APS201/HCG	Hammer case gasket	1
105	APS201/105	Hammer case bushing	1
106	APS201/106	Socket retainer	1
107	APS201/107	O-ring	1
108	APS201/108	Anvil	1
108A	APS201/108A	Anvil unit	1
109	APS201/109	Hammer frame pin	2
110	APS201/110	Hammer	2
111	APS201/111	Hammer frame	1
112	APS201/112	Washer	1
201	APS201/201	Housing	1
202	APS201/202	Handle grip	1
203	APS201/GKT	Gasket	1
204	APS201/204	Rear cover	1
205	APS201/205	CTW-ring	1
206	APS201/206	O-ring	1
207	APS201/207	Reverse valve	1
208	APS201/208	Spring	1
209	APS201/209	Steel ball	1

Ref	PCL Part No	Description	Qty
210	APS201/210	Half round HD star head bolt	4
301	APS101/301	Bearing	1
302	APS101/302	Front end plate	1
303	APS201/303	Spring pin	1
304	APS201/304	Cylinder	1
305	APS201/305	Spring pin	1
306	APS201/RBS	Rotor blades	6
307	APS201/307	Rotor	1
308	APS201/308	Rear bearing plate	1
309	APS201/309	Bearing	1
401	APS201/401	Insert bushing	1
402	APS201/402	O-ring	1
403	APS101/403	Seal	1
404	APS201/404	Bushing	1
405	APS101/405	Tip valve	1
407	APS201/407	Exhaust deflector	1
408A	APS201/408A	Air inlet	1
408B	APS201/408B	Air inlet	1
409	APS201/409	Trigger unit	1
410	APS201/410	Muffler	1
411	APS201/411	Ex-concentric ring	1
412	APS201/412	O-ring	1